

The new player of a
fuel sector...



36.000 LT
VOLUME



ADR TANKER

ALUMINUM ADR TANKER SEMI-TRAILER



Dynamic Production
with Innovative Approach

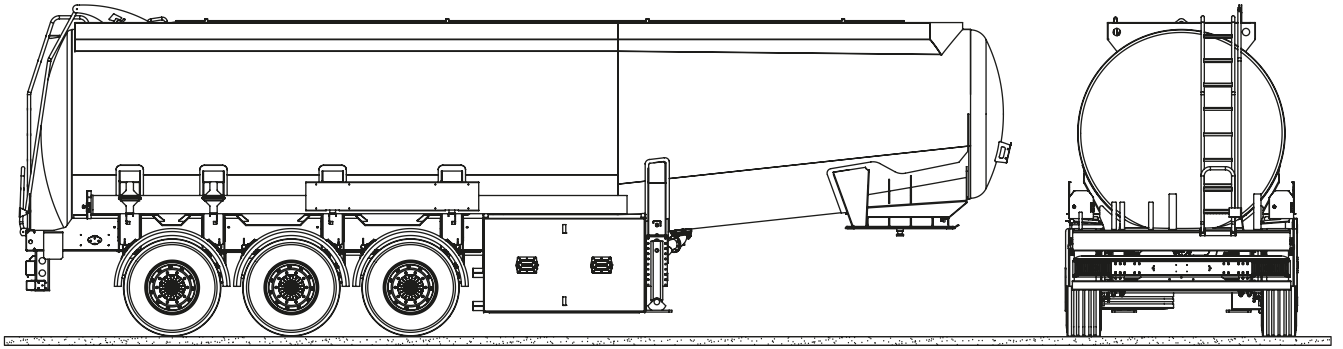


One-to-one Dialogue
Before and After Sales



Deep Friendships
Since 1983


OZTREYLER
together we are stronger



TECHNICAL SPECIFICATIONS

VOLUME	36.000 lt
WEIGHT	4.850 kg ~ 6.500 kg ± %3
MATERIAL	EA AW 5000 Series Elongal Aluminum
BODY THICKNESS	Min. 5mm

ADR TANKER ALUMINIUM ADR TANKER SEMI-TRAILER



3x9 TON CAPACITY AXLE



ALUMINIUM MONO-BLOCK BODY



PNEUMATIC OR MECHANICAL
OPENING GUARDS



PUMP FORCED DISCHARGE THROUGH
4" API ADAPTERS



OVERFLOW PROTECTION SOCKET



FLANGE KING-PIN REMOVABLE
BY 2" BOLTS

